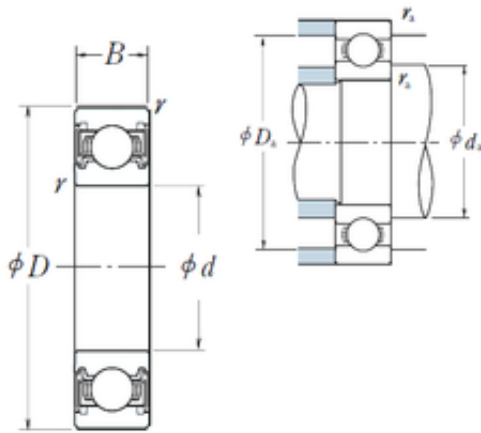




# SNR THRUST BEARINGS CO.,LTD



80 mm x 140 mm x 26 mm NSK 6216VV deep groove ball bearings

Bearing No. 6216VV

6216VV Bearing 2D drawings and 3D CAD models

Size	80x140x26 mm
Bore Diameter	80 mm
Outer Diameter	140 mm
Width	26 mm
d	80 mm
D	140 mm
B	26 mm
C	26 mm
r min.	2 mm
da min.	89 mm
da max	95,5 mm
Da max.	131 mm
ra max.	2 mm
Weight	1,42 Kg
Basic dynamic load rating (C)	72,5 kN
Basic static load rating (C0)	53 kN
(Grease) Lubrication Speed	4 500 r/min
Category	Single Row Ball Bearings
Inventory	0.0
Manufacturer Name	NSK
Minimum Buy Quantity	N/A
Weight / Kilogram	1.37
EAN	0029176015571
Product Group	B00308
Enclosure	2 Seals



## SNR THRUST BEARINGS CO.,LTD

Precision Class	ABEC 1   ISO P0
Maximum Capacity / Filling Slot	No
Rolling Element	Ball Bearing
Snap Ring	No
Internal Special Features	No
Cage Material	Steel
Enclosure Type	Non-Contact Seal
Internal Clearance	C0-Medium
Inch - Metric	Metric
Long Description	80MM Bore; 140MM Outside Diameter; 26MM Outer Race Diameter; 2 Seals; Ball Bearing; ABEC 1   ISO P0; No Filling Slot; No Snap Ring; No Internal Special Features
Category	Single Row Ball Bearing
UNSPSC	31171504
Harmonized Tariff Code	8482.10.50.68
Noun	Bearing
Keyword String	Ball
Manufacturer URL	<a href="http://www.nskamericas.com">http://www.nskamericas.com</a>
Manufacturer Item Number	6216VV
Weight / LBS	1.46
Outer Race Width	1.024 Inch   26 Millimeter
Outside Diameter	5.512 Inch   140 Millimeter
Bore	3.15 Inch   80 Millimeter
SRI	9.86
hidYobi	6216VV
LangID	1
D_	140
SREX	0.04
B_	26



## SNR THRUST BEARINGS CO.,LTD

da min	89
hidTable	ecat_NSRDGB
SRE	9.86
mass	1.42
GRS rpm	4500
ra	2
SRIX	0.04
D_a	131
SRIN	-0.04
C0	53
fo	14.6
SREN	-0.04
DE_	129.05
Prod_Type3	DGBB_SR_VV
DA_	19.05
bomp	0
Z_	10
yobi	6216VV
C_conv	72500
ALPHA_	0
SDM_	110
r	2
KBRG	6151
SBRG	2
DI_	90.95