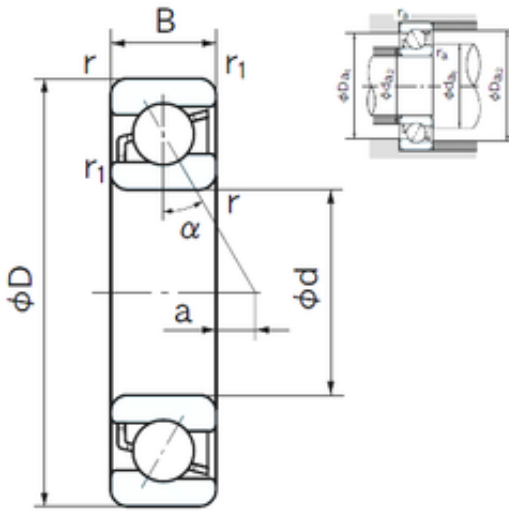




SNR THRUST BEARINGS CO.,LTD



50 mm x 110 mm x 27 mm NACHI 7310 angular contact ball bearings

Bearing No. 7310

7310 Bearing 2D drawings and 3D CAD models

Size	50x110x27 mm
Bore Diameter	50 mm
Outer Diameter	110 mm
Width	27 mm
d	50 mm
D	110 mm
B	27 mm
C	27 mm
Angle (°)	30 °
a	9.6 mm
r min.	2 mm
r1 min.	1 mm
da min.	60 mm
Da max.	100 mm
ra max.	2 mm
Weight	1.14 Kg
Basic dynamic load rating (C)	74 kN
Basic static load rating (C0)	52 kN
(Grease) Lubrication Speed	5600 r/min
Configuration	Single Row
Enclosure	Open
Bore Type	Cylindrical Bore
Bore Size	50 mm
Outside Diameter	110 mm
Width	27 mm



SNR THRUST BEARINGS CO.,LTD

Fillet Radius/Chamfer	2 mm
r1	1 mm
Dynamic Load Rating	74,000 N
Static Load Rating	52,000 N
Limiting Speed - Grease	5,600 rpm
Limiting Speed - Oil	7,500 rpm
da1 (min)	60 mm
da2 (min)	56 mm
Da1 (max)	100 mm
Da2 (max)	104 mm
ra (max)	2 mm
ra1 (max)	1 mm